

TYPE

CATALOG #

PROJECT

NOTES

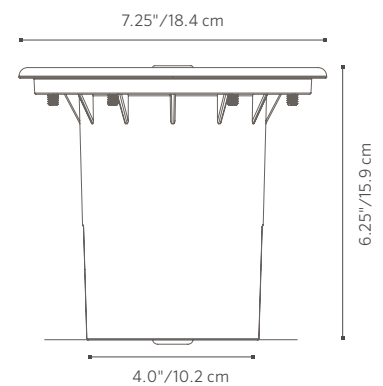
ACCESSORIES

LINE MOUNT

Use the line mount to convert line voltage to low voltage directly at the luminaire.

Quick Facts

- Tamper resistant
- In-grade design
- Minimal exposure
- IP67
- For use with ½" NPSM luminaires
- Optional step-down transformer



LINE MOUNT SPECIFICATIONS

Holm

Holm. Born from an industry demand for a comprehensive offering of distinctive line- and low-voltage lighting luminaires for the commercial market. Our products are designed to meet required specifications while echoing the aesthetics of the project. Holm is a Hunter Industries company with more than three decades of engineering expertise, now bringing its Luxor® technology to the commercial architectural and landscape lighting market.

Materials

Die-cast aluminum
A380 faceplate and polycarbonate housing.

Faceplate

Solid aluminum faceplate with female threads for luminaire with ½" NPSM threads. A setscrew is located underneath the faceplate for positioning and securing the luminaire. Grounding wire preassembled. Strain relief included. Adhesive backed silicone seal attached.

Wiring

18 AWG (1 mm) ground wire preassembled to faceplate

Power

Optional specification. Electronic step-down transformer. Universal input voltage: 120-240 V. Output voltage: 12 V. Rated current: 2.5 A. Rated power: 30 W.

Finish

Two-layer protection of sulfuric acid anodization and polyester TGIC powder coat, providing superior outdoor weathering in all conditions. Tested to ASTM standards.

Hardware

¼-20 stainless steel fasteners.
One ½ NPT hole plug.

Weight

5.1 lbs (2.3 kg)

Installation Requirements

Install in ground only with top of faceplate at or above grade. Cardboard sleeve protector included. Seal all threads with thread tape and/or included silicone O-rings and seals.

Ambient Operating Temperature

-25°C to 60°C (-13°F to 140°F)

Control

Not dimmable

Sustainability

Innovation meets conservation in the design and manufacturing of our products. Where we can, we use recycled materials while maintaining superior functionality. Our LED products provide high-quality light at optimal energy efficiency, lifespan, and durability.

Manufacturing

ISO 9001:2015 certified facility





Warranty

5-year limited warranty.

Listings



LINE MOUNT SPECIFICATIONS

Fixture-Size	Power Control	Options	Finish
LNM	■ NT No Transformer	■ [blank] 120V 60Hz UL Listed	■ BZ Bronze Metallic 
	■ ST Step-Down 30W Transformer (120V-240V to 12V)	■ E 220-240V 50Hz CE Approved	■ SV Silver 
			■ FB Flat Black 
			■ FW Flat White 
			■ RL RAL Color

EXAMPLE FIXTURE CONFIGURATION: LNM-ST-E-SV

