



TYPE

CATALOG #

PROJECT

NOTES

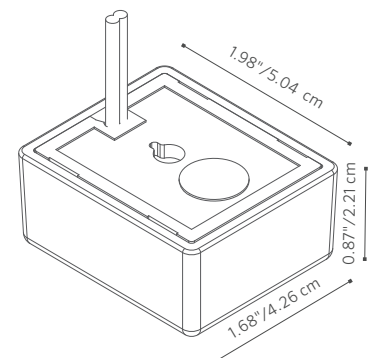
ACCESSORIES

SURGE MODULE

The Surge-Mod provides two additional layers of surge protection to any low-voltage LED fixture. The module is designed with a viewing window to provide clear indication of surge events.

Quick Facts

- Two-layer protection
- Visual surge indicator
- Direct burial
- In-line installation with two-wire path
- Compatible with any low-voltage LED fixture



SURGE MODULE SPECIFICATIONS

Operating Voltage and Frequency	15 VAC, 50/60 Hz
I _n (Nominal Discharge Current)	1 kA
MCOV (Maximum Continuous Operating Voltage)	15 VAC
Peak Surge	10KW

Holm

Holm. Born from an industry demand for a comprehensive offering of distinctive line and low-voltage lighting fixtures for the commercial market. Our products are designed to meet required specifications while echoing the aesthetics of the project. Holm is a Hunter Industries company with more than three decades of engineering expertise, now bringing its Luxor® technology to the commercial architectural and landscape lighting market.

Materials

Polycarbonate plastic housing with polyurethane potting compound.

Wiring

0.3 meter length

Ambient Operating Temperature

0°F to 140°F

Weight

0.3 lbs.

Sustainability

Innovation meets conservation in the design and manufacturing of our products. Where we can, we use recycled materials while maintaining superior functionality. Our LED products provide high-quality light at optimal energy efficiency, lifespan, and durability.

Installation Requirements

Direct burial with waterproof wire connectors.

Warranty

0 years

Listings



SURGE MODULE ORDERING INFORMATION

Model

■ SURGEMOD

EXAMPLE CONFIGURATION: SURGE-MOD

SURGE - MOD