

INSTALLATION NOTES: *Line Mount*

1. Caution and Safety Instructions

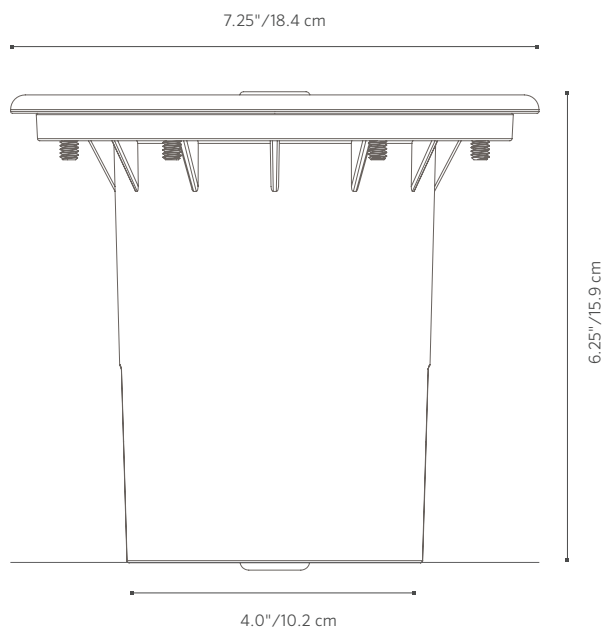


- Qualified personnel must install and/or service this product in a manner consistent with its intended use and in compliance with the National Electrical Code, Canadian Electrical Code, and/or all local and provincial codes.
- Follow all product label information and installation instructions.
- Turn off power at the fuse or circuit breaker before installation or servicing.
- The use of damaged components may cause an unsafe condition and void the product warranty.
- Keep all O-rings and sealing surfaces clean during installation and servicing; failure to do so may lead to premature failure of this product.

2. Product Information



- This product is suitable for mounting at grade level.



Tools Needed

Installation: #3 Phillips screwdriver, $\frac{5}{32}$ " Allen wrench, and $\frac{5}{64}$ " Allen wrench

3. Product Installation

Figure 1

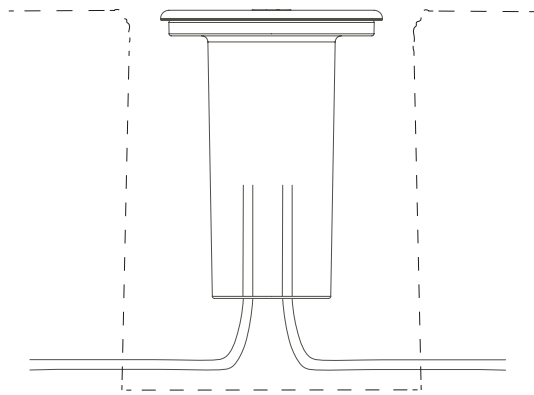
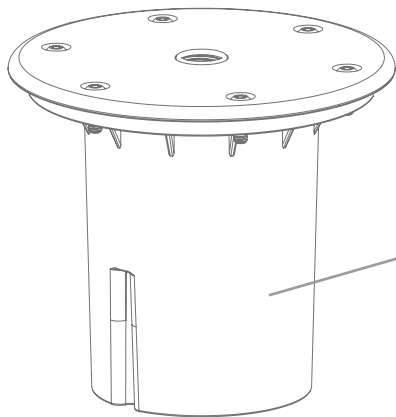
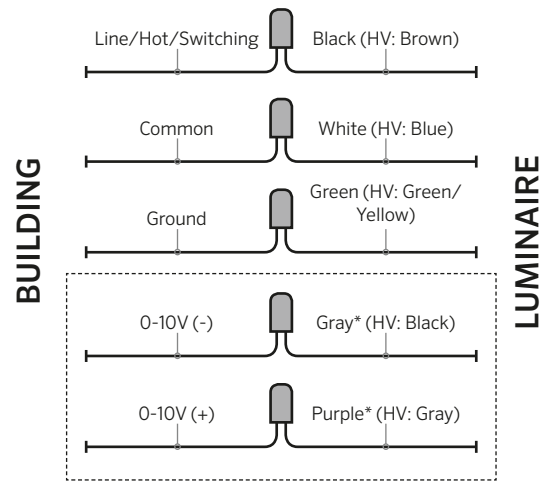


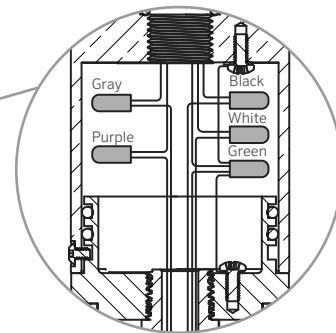
Figure 2



Wiring Chart



*For use with 0-10V driver only

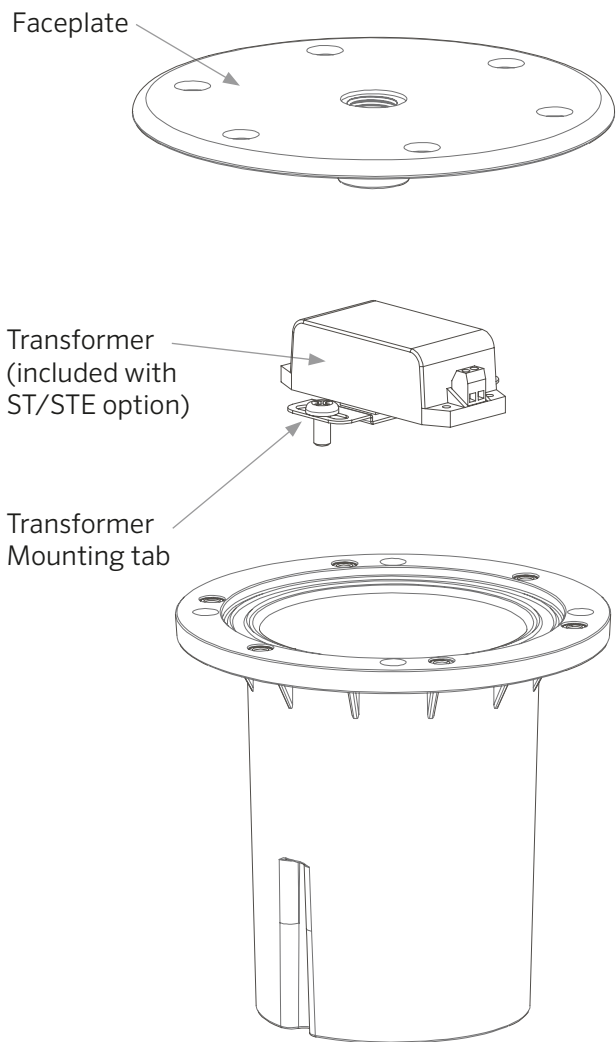


Power Requirements

	Standard Voltage (SV)	High Voltage (HV)
Input Power	120V/60Hz	220V to 240V/50Hz
Number of Wires	3	3
	Black, White, Green	Black, White, Green,

3. Product Installation

Figure 3



1. Secure the driver housing in-ground in accordance with local codes and regulations (Figure 1).
2. Connect conduit or cable runs to the bottom of the driver housing with couplings (½"-14 NPT - provided by others). Use the provided ½"-14 NPT plug for unused conduit openings.
3. Add the installation cover onto the driver housing with the provided fasteners to prevent dirt and debris from entering the driver housing (Figure 2).
4. To complete the installation, use double-sided tape to secure the transformer to the transformer mounting tab (Figure 3).
5. Use ¼"-20 x ⅜" screws to secure the transformer mount to the inside bottom of the housing with a #3 Phillips screwdriver (Figure 3).
6. Connect the luminaire/conduit/cable (provided by others) to the ½"-14 NPT opening of the faceplate. Install the O-ring gasket (included) (Figure 3).
7. Use the wiring diagram and approved wire connectors to connect the transformer wiring.
8. Tighten the 8-32 x ½" setscrew using a ⅝" Allen wrench to lock the rotational position of the luminaire to the driver housing faceplate.
9. Seal the driver housing compartment using the provided gasket and fasteners (¼"-20 x ¾" screws) with a ⅝" Allen wrench.

4. Warranty

STATEMENT OF LIMITED WARRANTY

Hunter Industries Incorporated (“Hunter”) warrants Holm lighting products to be free of defects in materials or workmanship under normal use for a period of five (5) years from the date of invoice. If a defect in a Holm product is discovered during the applicable warranty period, Hunter will repair or replace, at its option, the product or the defective part. This limited warranty does not extend to repairs, adjustments, or replacement of Holm products or parts resulting from misuse, negligence, alteration, modification, tampering, or improper installation and/or maintenance of the product. This warranty extends only to the original installer of the product. If a defect arises in a Holm product or part during the warranty period, contact the local authorized manufacturer’s representative. Hunter’s obligation to repair or replace its products as set forth above is the sole and exclusive warranty set forth by Hunter. There are no other warranties, expressed or implied, including warranties of merchantability and fitness for a particular purpose. Hunter will not be liable to distributor or any other party in strict liability, tort, contract, or any other manner for damages caused or claimed to be caused as a result of any design or defect in Holm products, or for any special, incidental, consequential, or exemplary damages or any nature, including without limitation lost business or profits. Notwithstanding the foregoing, if for any reason Hunter is found to be liable, in no event shall Hunter’s liability exceed the price of the product which gives rise to the claim, loss, or damage.

If you have any questions concerning the warranty or its application, please write to: Customer Service Department - Holm, 1940 Diamond Street, San Marcos, CA 92078, U.S.A.