

TYPE

CATALOG #

PROJECT

NOTES

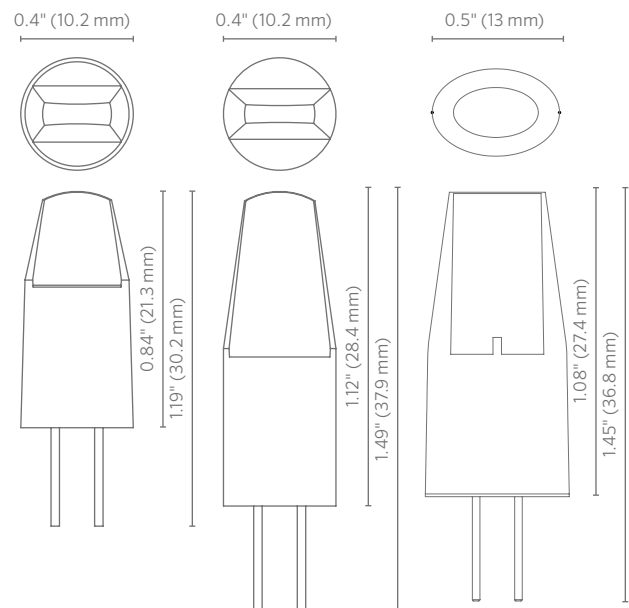
ACCESSORIES

G4 LED Replacement Lamp

Specially engineered with a clear silicon capsule design, the economical, energy-efficient G4 LED replacement lamp provides retrofit capabilities for lighting fixtures with a G4 lamp base.

Quick Facts

- Converts T3 incandescent fixtures to LED
- Compatible with any brand of low-voltage fixture that accepts a G4 base
- Silicone encapsulated
- Three intensities: 1W, 1.6W, and 2.4W (10W, 20W, 35W halogen equivalents)
- Warm color temperature: 2,700K
- Compatible with Luxor Low-Voltage Cube (LCM-LV)



G4 LED Replacement Lamp SPECIFICATIONS

Output	G4LED10W	G4LED20W	G4LED35W
Total Lumens [†]	76	123	170
Input Voltage	12V	12V	12V
Input Power (W)	0.81	1.14	1.52
VA	1.1	1.7	2.6
Efficacy (Lumens/Watt)	93	107	111
Color Rendering Index (CRI)	83	82	84
Center Beam Candlepower*	--	--	--
Spot (17-20)	--	--	--
Dimming	PWM, Phase**	PWM, Phase**	PWM, Phase**
RGBW Available	No	No	No
Luxor Compatibility			
Default	--	--	--
ZD Option	--	--	--
ZDC Option	--	--	--
Minimum Rated Life (L70)	33,000 Hrs	33,000 Hrs	33,000 Hrs

* Information not available for Flood or Wide Flood.

** For optimal performance, use a trailing-edge, phase-cut dimmer.

† Measured using the 3,900K CCT lens. Multipliers for other CCTs include 0.80 (2,700K), 0.65 (4,500K), and 0.65 (5,200K).

G4 LED Replacement Lamp ORDERING INFORMATION

Model	Halogen Equivalent	Color Temperature
G4LED	■ 10 10W; consumes 1.1VA	■ W Warm; 2,700K
	■ 20 20W; consumes 1.7VA	
	■ 35 35W; consumes 2.6VA	

EXAMPLE CONFIGURATION: G4LED-10-W



Holm

Holm. Born from an industry demand for a comprehensive offering of distinctive line- and low-voltage lighting fixtures for the commercial market. Our products are designed to meet required specifications while echoing the aesthetics of the project. Holm is a Hunter Industries company with more than three decades of engineering expertise, now bringing its Luxor® technology to the commercial architectural and landscape lighting market.

Material

Silicone

Power

12VAC 50/60Hz
Input voltage: 10-15VAC

Control

Compatible with Luxor
Low-Voltage Cube

Weight

0.01 lbs (4.5 g)

Base

G4

Color Temperature

2,700K

Ambient Operating Temperature

0°F to 140°F (-18°C to 60°C)

Sustainability

Innovation meets conservation in the design and manufacturing of our products. Where we can, we use recycled materials while maintaining superior functionality. Our LED products provide high-quality light at optimal energy efficiency, lifespan, and durability.

Warranty

5-year limited warranty

Listings

