

INSTALLATION NOTES: *rNook-16*



1. Caution and Safety Instructions

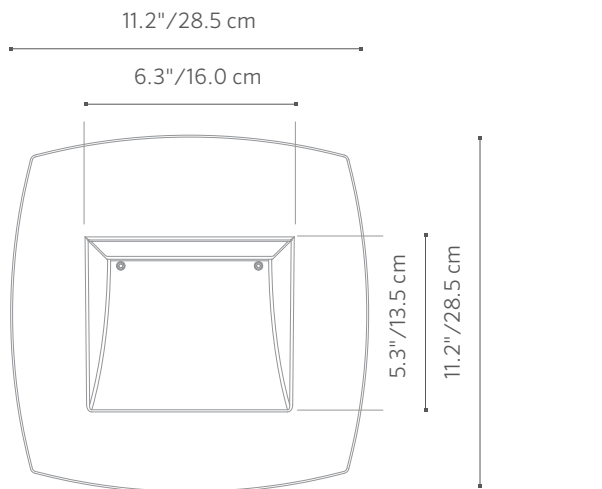
- Qualified personnel must install product in a manner consistent with its intended use and in compliance with the National Electrical Code, Canadian Electrical Code, and/or all Local and Provincial Codes.
- Follow all product label information and installation instructions.
- Qualified personnel must perform all servicing of this product.
- Turn off power at the fuse or circuit breaker before installation or servicing.
- The use of damaged components may cause an unsafe condition and void the product warranty.
- Do not block light emanating from the product in whole or part.
- Never operate the fixture with a missing or damaged lens. The lens must be cleaned on a regular basis.
- The entire fixture may become extremely hot. Do not touch the hot lens or fixture body. Do not touch the light source at any time.
- Keep all gaskets and sealing surfaces clean during installation and servicing; failure to do so may lead to premature failure of the product.

2. Product Information

- Suitable for mounting within 1.2 M (4 ft) of the ground
- Vapor barrier must be suitable for 90°C
- For use in non-fire-rated installations only
- Not for use in environmental air-handling spaces

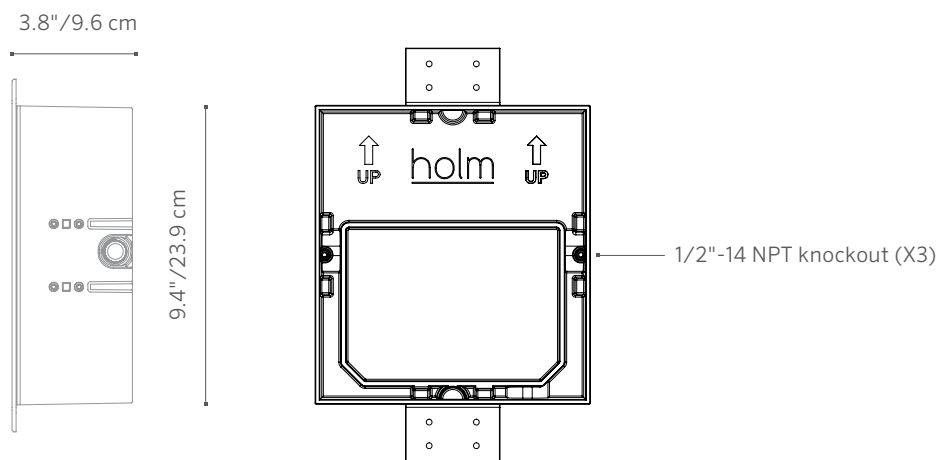


2. Product Information (cont.)



Tools Needed:

- 7/64" Allen wrench (installation)
- #3 Phillips screwdriver (installation)
- #1 & #2 Philips screwdriver (servicing)

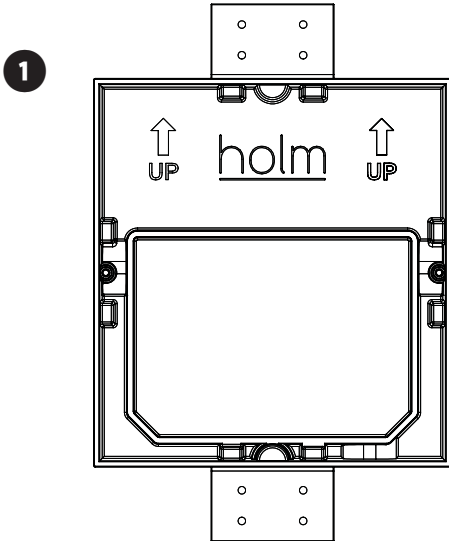


Power Requirements

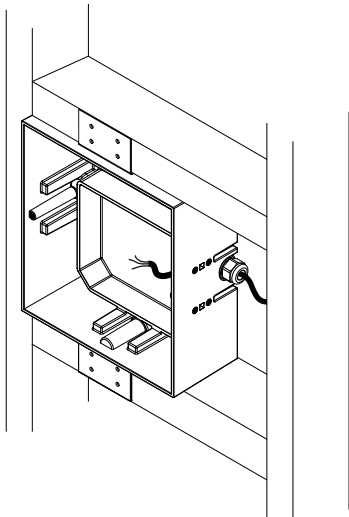
| | Standard Voltage (SV) | Universal Voltage (UV) | High Voltage (HV) |
|------------------------|-----------------------|-----------------------------------|---------------------------|
| Input Power | 120V | 110V to 277V | 220V to 240V |
| Dimming | Phase | 0-10V | N/A |
| Number of Wires | 3 | 5 | 3 |
| | Black, White, Green | Black, White, Green, Purple, Gray | Brown, Blue, Green/Yellow |

3. Product Installation

Front View

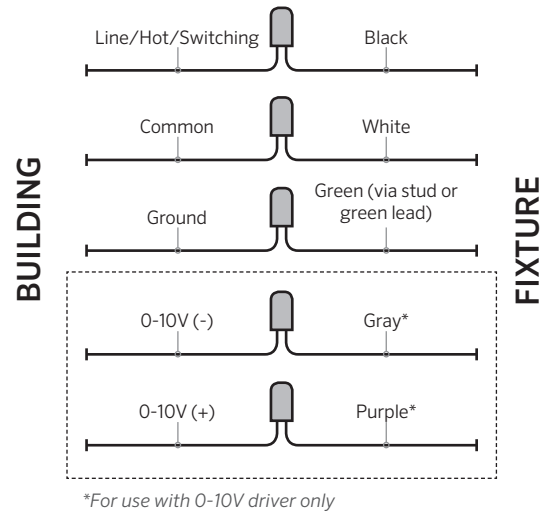


3/4 View

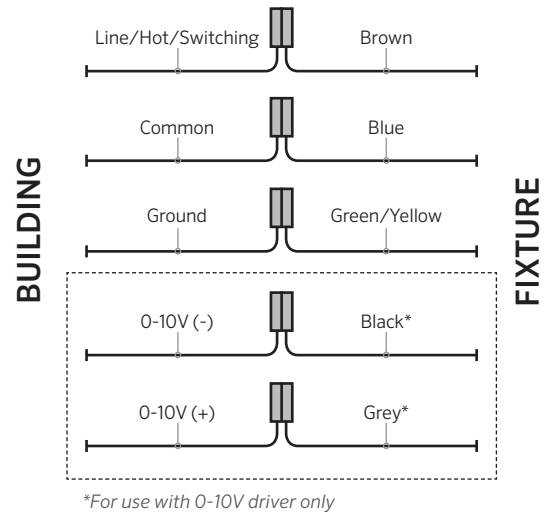


Install construction sleeve (“sleeve”) inside the wall using provided L-brackets, mounting to structural supports (e.g. 2"x4" framing studs). For lighting in the downward direction, ensure the arrow in the sleeve is pointing upward.

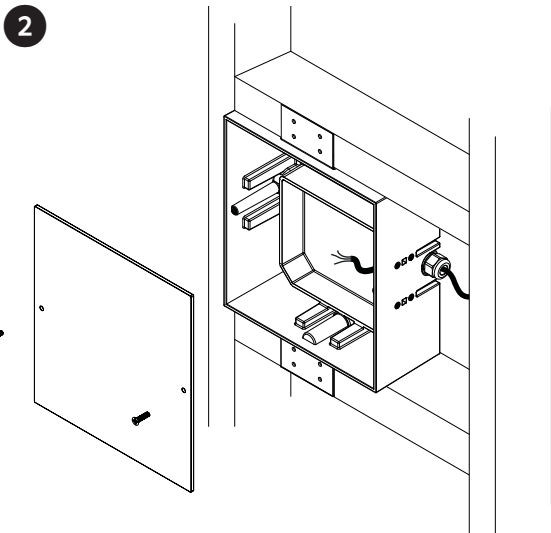
Wiring Chart (North America)



Wiring Chart (International)



3. Product Installation (cont.)



Run conduit and/or wiring (code dependent) to the ideal “knockout(s)” in the construction sleeve.

3

Use a tool of choice to forcefully remove the knockout.

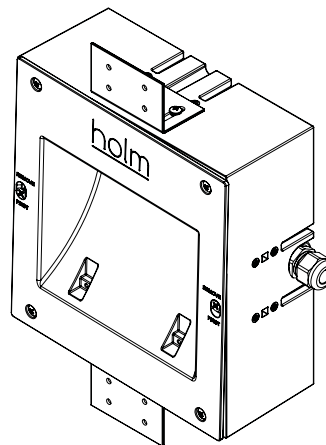
4

Connect the conduit/wire runs to the sleeve with couplings of choice (1/2”-14 NPT).

5

Attach sleeve cover to protect the interior during wall finishing using included fasteners.

6



Remove sleeve cover to resume installation.

7

Connect wiring from housing assembly to the incoming power lines using the wiring diagram (see previous section) and approved wire connectors.

8

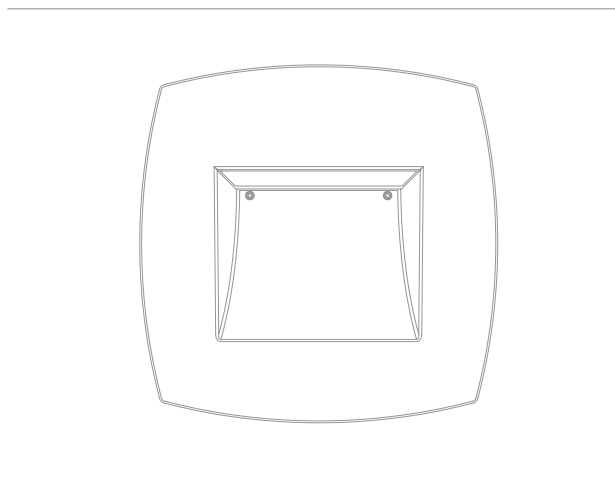
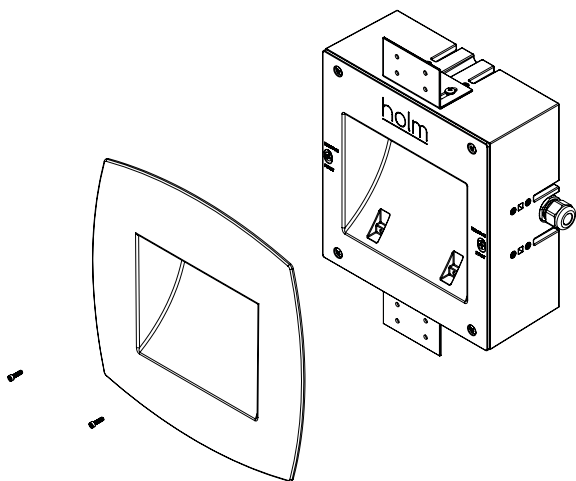
Insert complete housing assembly into construction sleeve

9

Place the housing inside the sleeve and fasten screws through center slots on left and right sides. Before fully tightening, rotate housing according to level for ideal installation.

3. Product Installation (cont.)

10



Attach faceplate to housing using included fasteners.

5. Warranty

STATEMENT OF LIMITED WARRANTY

Hunter® Industries Incorporated (“Hunter”) warrants Holm lighting products to be free of defects in materials or workmanship under normal use for a period of five (5) years from the date of invoice. If a defect in a Holm product is discovered during the applicable warranty period, Hunter will repair or replace, at its option, the product or the defective part. This limited warranty does not extend to repairs, adjustments, or replacement of Holm products or parts resulting from misuse, negligence, alteration, modification, tampering, or improper installation and/or maintenance of the product. This warranty extends only to the original installer of the product. If a defect arises in a Holm product or part during the warranty period, contact the local authorized manufacturer’s representative. Hunter’s obligation to repair or replace its products as set forth above is the sole and exclusive warranty set forth by Hunter. There are no other warranties, expressed or implied, including warranties of merchantability and fitness for a particular purpose. Hunter will not be liable to distributor or any other party in strict liability, tort, contract, or any other manner for damages caused or claimed to be caused as a result of any design or defect in Holm products, or for any special, incidental, consequential, or exemplary damages or any nature, including without limitation lost business or profits. Notwithstanding the foregoing, if for any reason Hunter is found to be liable, in no event shall Hunter’s liability exceed the price of the product which gives rise to the claim, loss, or damage.

If you have any questions concerning the warranty or its application, please write to: Customer Service Department - Holm, 1940 Diamond Street, San Marcos, CA 92078, U.S.A.